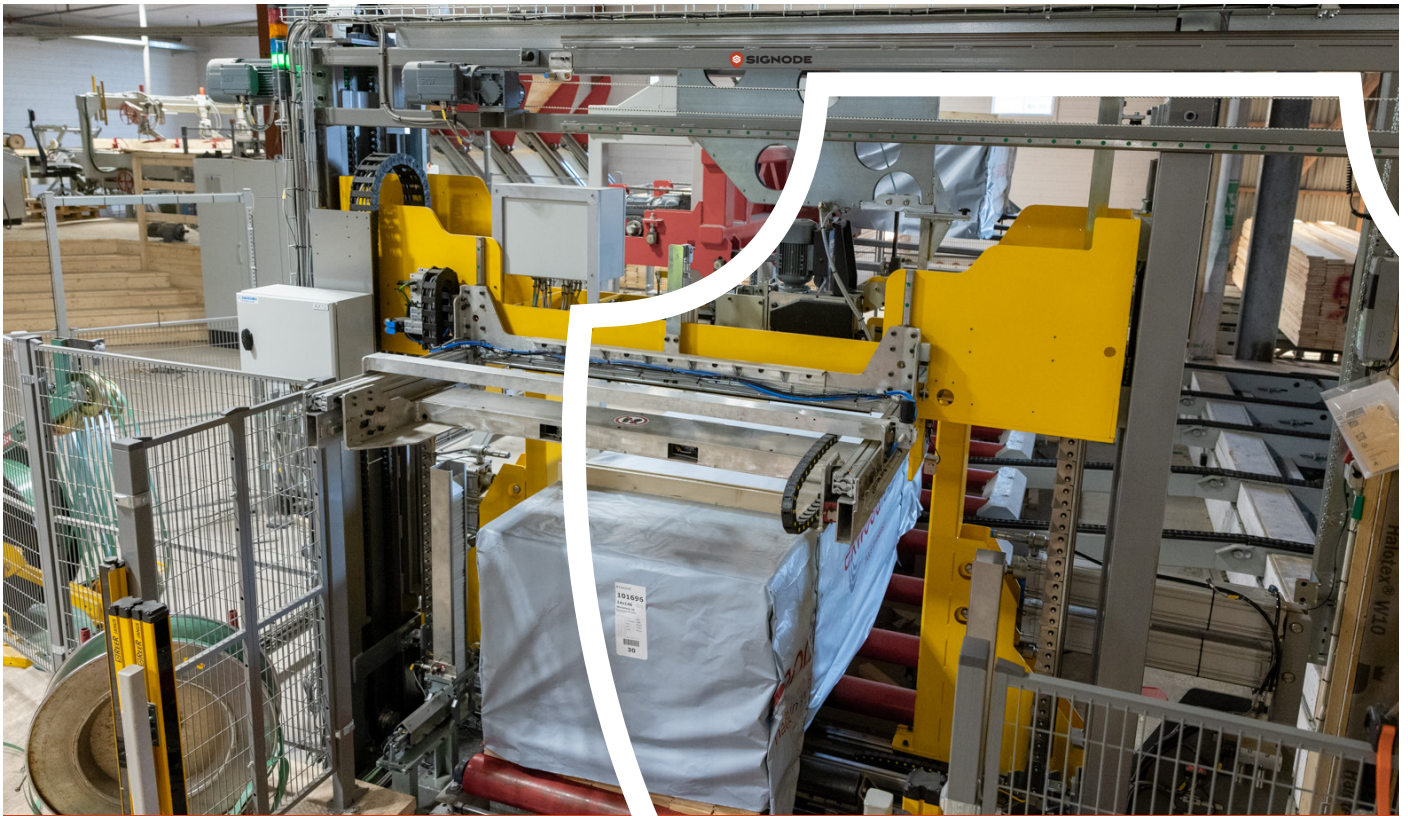
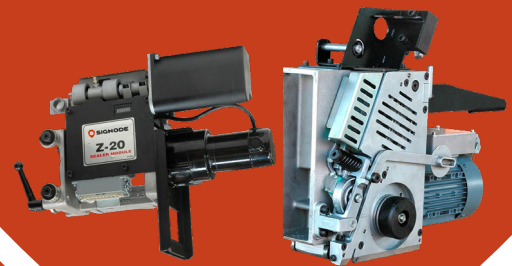


SPE-Z20



SPE-Z20

All-Electric lumber press for lighter load compaction and strapping station



Greater productivity

Fast, all-electric operation, means reduced service needs and costs. Z20 strapping head modules ensure maximum uptime.

Simple to operate

Intuitive, easy to use, icon-driven operator HMI for straightforward packaging program changes and machine status.

Improved load compaction

Exact load compaction and repeatable applied strap tension create stable, transportable bundles less likely to be damaged.

Flexibility in operations

Top, bottom batten and 2 or 4 edge-protection options meet and deliver most customers current and future needs.



SPE Z20

All-Electric soft compaction lumber press and strapping station

Five reasons why the SPE range is the best soft load compaction and strapping station for the lumber profile and planing sector

■ Improved load protection

To protect load corners, edge-protection can be applied under the strap. The edge protection magazines can hold up to 100 pieces per corner for maximum machine availability. Manual magazine reloading is fast and simple, with 25 piece edge-protection ready-packs.

■ Top and bottom batten application

Multi-functional top or bottom magazines enable the gripper unit to select and apply differing lengths of runners or battens to the load. This can also be in combination with top and or bottom edge-protection applicators.

■ Exact repeatable load compression

Depending upon the product being processed the compaction and strap tension can be selected for optimum load stability for maximised load handling, stacking and shipment.

■ Less wear, service and overall energy needs for the press

The new materials use a unique all-electric drive system and controls ensure optimum efficiency and are less expensive to operate than other systems.

■ Stable lumber packs

Using the optimised and infinitely variable soft compaction, loads can be stabilised for strapping without damage to the sensitive high-quality product surface finish. This reduces claims, returns, replacements deliveries and costs.



Flexible automation interfacing

Possible for magazine to index to the correct position for gripper to select a different bottom or top batten.



Product protection

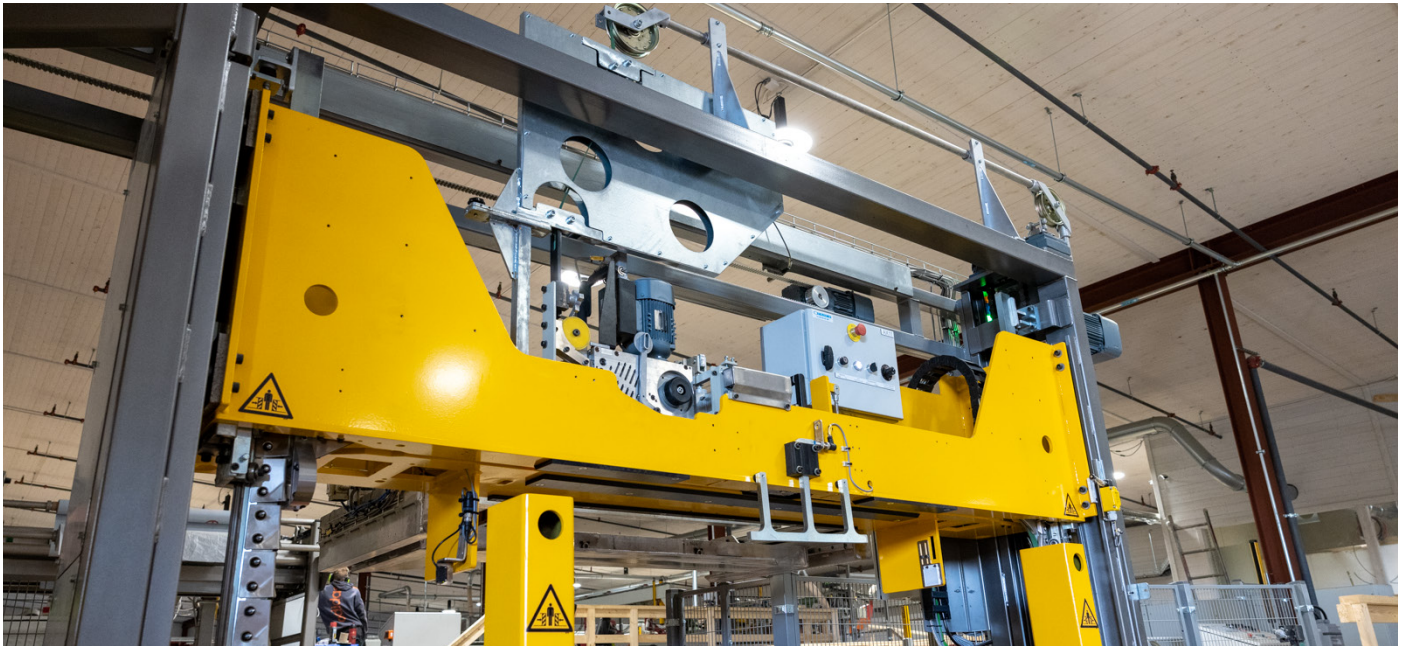
From the variable, soft side-compaction to bottom corner application the load is well protected.

HMI Control Panel

The simple and intuitive HMI machine enables many formats and load packaging styles to be selected. Also machine performance can be accessed for efficiency level tracking and for service needs directly on the HMI.

Product Protection

Depending on the products to be strapped, different top batten, bottom runners as well as load corner edge-protection can be applied in various combinations by the SPE.



Machine option possibilities

The options from simple pack strapping to strapping with a bottom batten. Optional automatic variable compression and strap tension and packing format programmes are available.



Excellent load transport protection

The combination of protective packaging materials and strapping ensure excellent arrival condition.



Systems visualisation

The HMI pictogram display gives instant machine status, reducing operator work load to a minimum.

SPE-Z20

All-Electric soft lumber press

PRODUCTS

SERVICES

INTEGRATION

AUTOMATION



pack



bundle



unitize



warehouse



transport



Z20 strapping head modules

Modules can use 16 or 19mm machine grade PET strapping. The **sealer unit** requires cleaning only every 50-75000 cycles. The **feeder modules** with only 5 moving parts needs cleaning every 75000 cycles.



All-electric compression drives

Faster, cleaner, easier to monitor with less service needs and lower running costs.



Strap dispenser for coils up to 300kg.

From 70-300 kg coils of PET for more uptime, less coil changes plus much improved work safety.

SPE-Z20

All-Electric soft lumber press



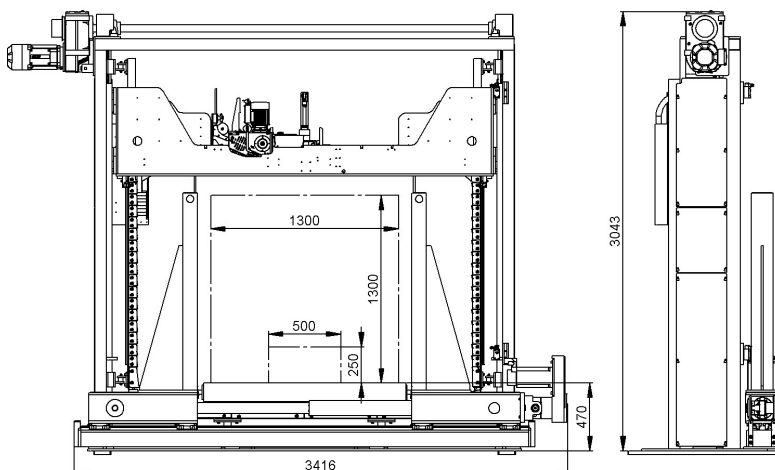
SPE-Z20 Technical Specifications

Strapping head	Top mounted modular strapping head Z20
Strap type	16 - 19 mm Tenax® / Tenax-E PET Polyester
Top compaction	Variable up to 500 kg
Side compaction	Variable from 500 to 2000 kg (optional)
Compaction cylinders	Electrical 1kW motor for sides only, Side arms pneumatic or electrical options
Chute type	Short chute flaps permit feeding of strap at any height
Electrical supply	400 VAC, 50 HZ, 3PE
Power consumption	4 kVA
Control voltage	24 V DC
Throughput	10 - 12 sec/strapping cycle*
Machine weight	Approx. 3000 kg depending on options
Strap coil core	Inner Ø 406 mm Outer Ø 760 mm Width 190 - 305 mm
Control panel (HMI)	Free standing HMI control panel, 6 m cable length
Colours	Machine frame: Black aluminium, RAL 9005 Electrical cabinet: Light Grey, RAL 7035 Compression platen: Signal Yellow, RAL 1018
Min conveyor height	470 mm

* Performance: Depends on chute and package dimensions, conveyor speed, package distances and strap tension.
** If the package width is smaller than 800mm, the package must be moved on the centre line of the conveyor system.
Additional package and chute dimensions are available on request.

Dimensions:

Illustrations show SPE-Z20 machine.
All dimensions in mm.



Z20 Technical Specifications

Strap tension	890 - 4450 N
Strap type	Tenax Polyester
Strap width	16 or 19 mm
Strap thickness	0,89 mm - 1 mm
Sealer weight	21 kg
Tensioner weight	33 kg
Sealing method	Friction weld / Z-weld

Packaging Dimensions (Standard)

Min. package height	250 mm
Max. package height	1200 mm
Min. package width	500 mm**
Max. package width	1200 mm

Standard Features

- Heavy duty machine frame design
- Separate strap feed and tension modules
- Electrical top drive motor on platen
- Low-wear, stainless steel chute flaps
- Free standing HMI control panel
 - All functions can be selected via touch screen
 - Siemens TP1200 Comfort 12"
 - Simple and easy to understand menu structure
 - Available in different languages
- PLC Simatic S7-1200
Standard strapping program
Manual / Cycle / Automatic / Free passthrough
- Interface, signal exchange via potential free contacts or Profinet.
All safety signals via potential free contacts
- "Strap coil end" pre-warning alarm