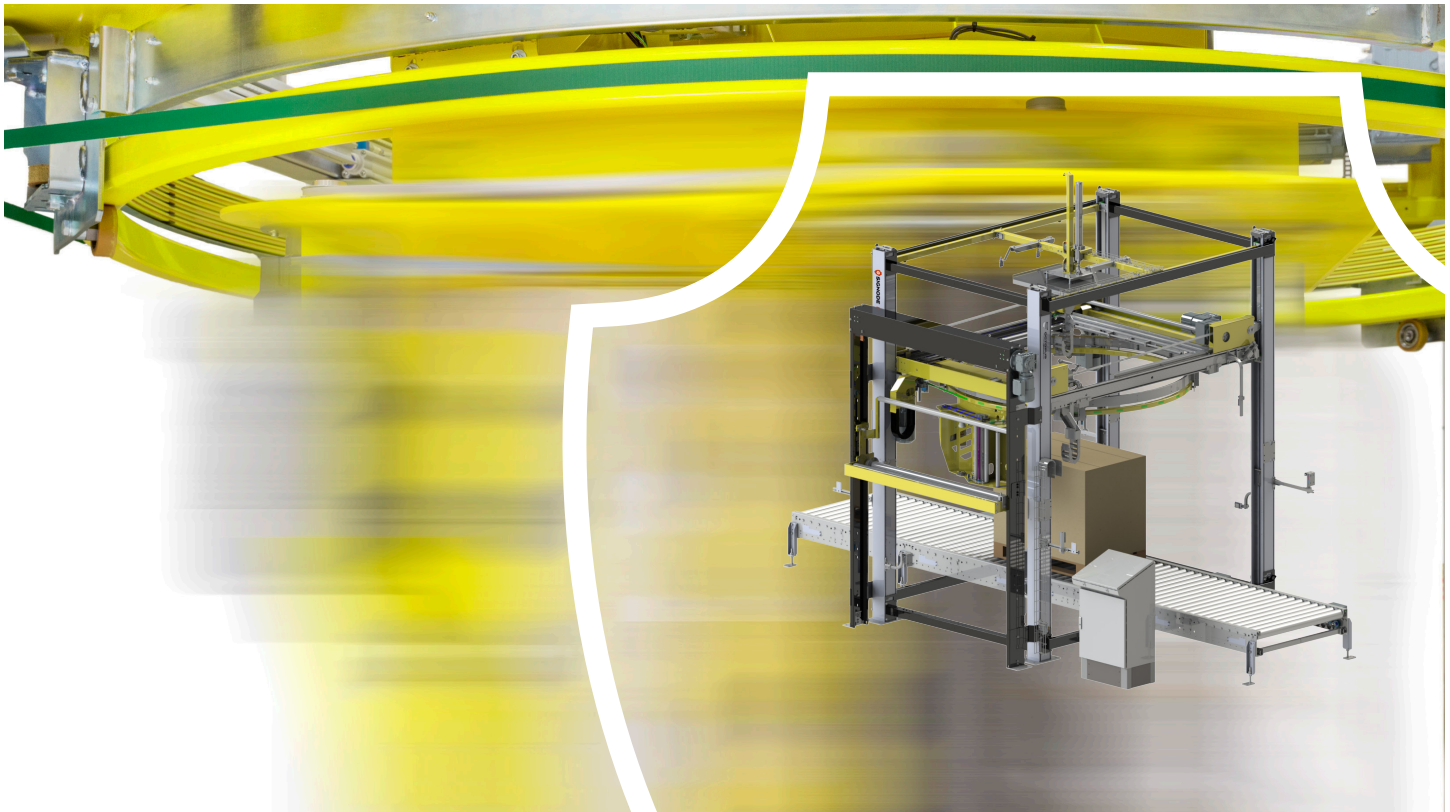




OCTOPUS[®]
A **SIGNODE** BRAND

PRODUCTS					
SERVICES					
INTEGRATION					
AUTOMATION					
	pack	bundle	unitize	warehouse	transport



Compact Series

Automatic rotary ring stretch wrapper

Maximizes Throughput

Wraps up to 40 loads per hour

Robust Construction

Compact, aluminum frame with well-balanced design provides maximum efficiency and reliability

Simplifies Integration

Requires minimal set-up and less floor space than traditional wrappers

Production Flexibility

Accommodates variable load sizes and multiple wrapping patterns to satisfy packaging challenges



Compact Series

Automatic rotary ring stretch wrapper



The Octopus Compact Series (Compact 20 / Compact TSi) automatic rotary ring stretch wrapper incorporates the latest technology with the classic octopus ring-type method of wrapping to provide optimal load containment, while optimizing film usage.

Features and benefits

■ Provides unmatched flexibility

Ring design allows for positioning in the vertical direction enabling wrapping to begin and end at any height for unlimited wrap patterns. Ideal for a range of applications including unstable and lightweight products, the Octopus Compact 20 / Compact TSi has no centrifugal forces simplifying the wrapping of challenging loads.

■ A unique approach to wrapping

The Octopus Compact 20 / Compact TSi wrapper utilizes an “S” type film carriage for easy, quick and safe film reel change. The “S” type film carriage structure offers less film necking and better Pre-Stretch performance compared to W-type film carriage, and significantly lowers the overall cost of ownership.

Octopus Compact 20 / Compact TSi is equipped with No Touch No Tail film seaming as standard. No Touch No Tail seaming eliminates film tails and prevents the seaming device from touching the load itself.

■ Continuous film force-to-load adjustment

Each wrapping pattern has customized force to load settings for individual parts of the load for improved load containment.

■ Addresses variable packaging challenges

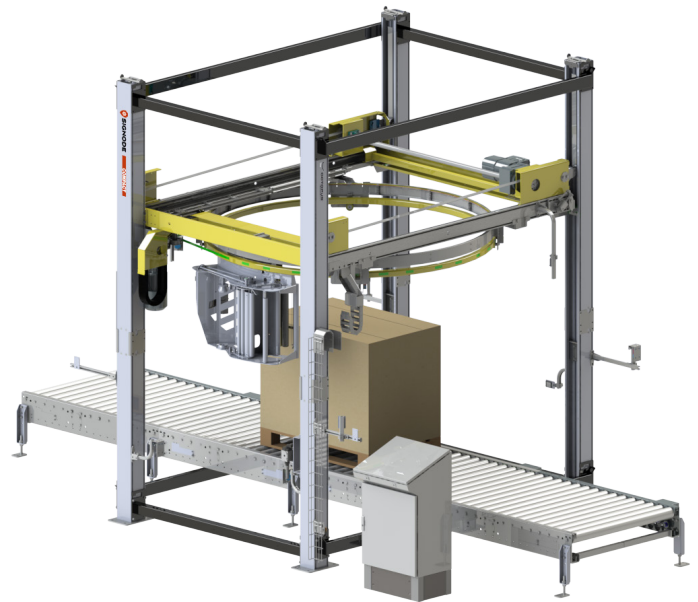
An integrated top sheet dispenser (Compact TSi model) protects the load against dust or water ingress. It gives significant space savings on the factory floor and the top film positioning is extremely accurate. It allows a solid top cover without any film seaming on top of the pallet. Top sheet is added during the wrapping cycle.

Additional standard features

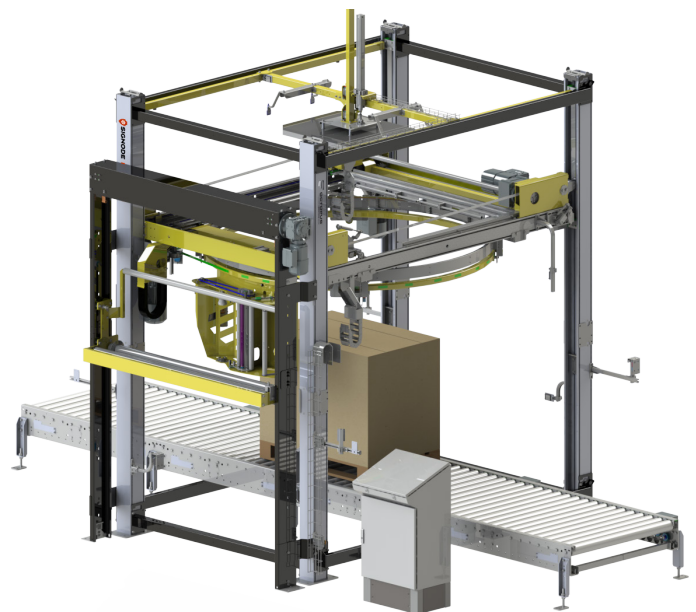
- Safety fence with electrical lockout switch
- HMI OctoFACE - for improved visual user experience

Options

- **Roping device:** Improves load stability by stretch film roping the bottom layer or pallet base
- **Tail tucking system:** Ropes the film at the end of the cycle and tucks the tail under the layers to eliminate loose tails.



Octopus Compact 20



Octopus Compact TSi



Signode Finland Oy, Masku, Finland
Phone: +358 2 437 6111
Email: octopus@signode.com