

Endra Machines

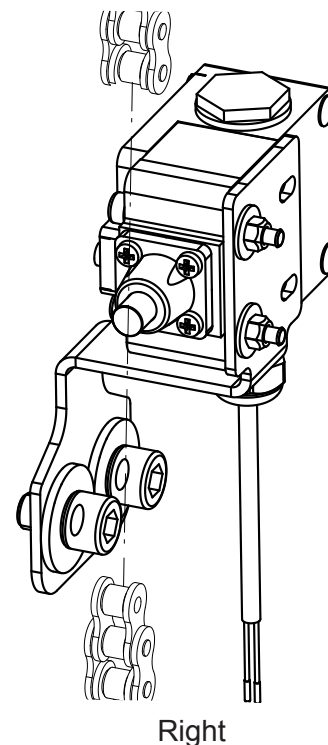
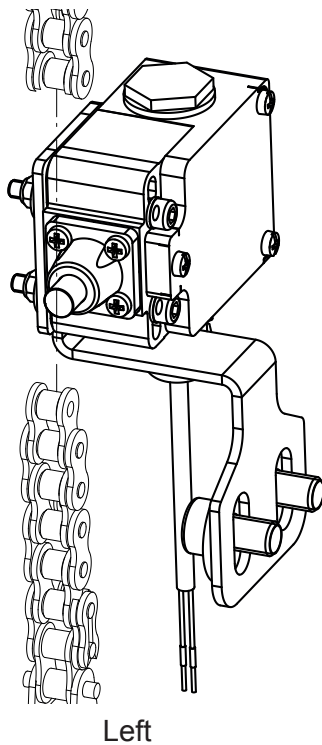


HE1M, HExM, HC2M

Increased machine protection through slack chain monitoring

- To monitor the chains of vertical drive (Beam) a retrofit kit is available (for machines older than 07.2015)

RETROFIT KIT FOR SLACK CHAIN MONITORING
HE1M / HExM / HC2M



Advantage

This kit serves to increase machine protection. The kit monitors the chains and only permits vertical drive movements when the chains are taut. In particular when the vertical drive (Beam) comes to rest on a package a downward movement of the vertical drive is prevented.

Validity

The following can be retrofitted:
 – Machines up to no. E100049/15 (older than 07.2015)
 Newer machines are already equipped with the slack chain monitoring as standard.

Technical information

Retrofit kit, order no. 1822-041-182
 No machine software update required (electro-mechanical retrofitting)
 – Retrofit comprises:
 Components, electrical diagram and installation instructions.

Delivery time

After ordering the corresponding kit can be sent within two weeks.

Remarks

When ordering the kit the following information must be provided:
 – Machine No.
 – Contact person with coordinates