

SIGNODE **LBX-2000**™

Plastic strapping machine

*Jam-resistant
technology*

*Automatic
strap feed*

*Up to
70
straps per
minute!*



SIGNODE®

Made in
the U.S.A.

SIGNODE LBX-2000™

Plastic strapping machine

Signode's new LBX-2000™ offers the most reliable performance, lowest maintenance cost and highest speed of any general duty strapping machine on the market today.

- Up to 70 straps per minute
- Jam-resistant technology
- Automatic refeed
- Lubrication-free
- No internal adjustments necessary

Easy coil loading

Strap coil pays off from either direction making loading simpler than ever.



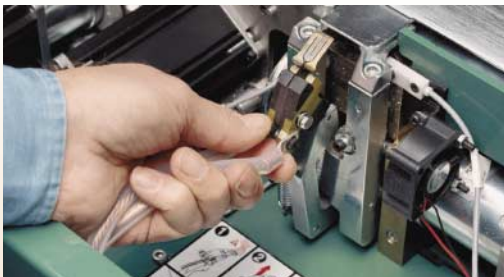
Fully accessible strap path

Raise the hinged tabletop to open the chute. Lift guide for full access to strap path.



Easy maintenance

No belts or clutches. Hot knife can be removed and cleaned without the use of any tools.



Save up to 20% on material costs with LB Series plastic strapping

The new LBX-2000 utilizes Signode's newest Contrax® polypropylene strapping. LB Series strapping has the same durable properties as regular Contrax with more strap per coil.

- LB 112 5mm Contrax coils — 30,000 feet per coil
- LB 212 6mm Contrax coils — 24,000 feet per coil

LBX-2000 Specifications

Cycle rate: Up to 70 straps per minute

Strap size: 5mm or 6mm wide polypropylene strapping

Minimum package size: 2" x 1" (50mm x 25mm)

Strap tension: Adjustable from 2 lbs to 60 lbs

Machine dimensions: 31" W x 21" L x 57" H (790mm W x 530mm L x 1450mm H), maximum height

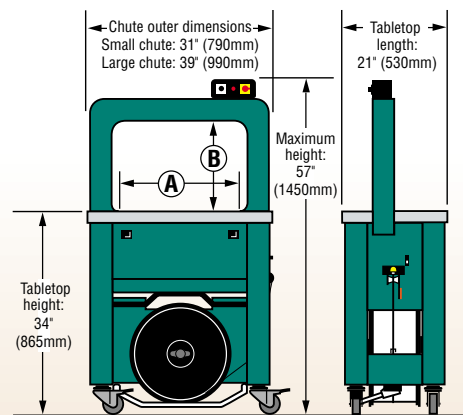
Tabletop height: 34" (865mm)

Electrical requirements: 110 volt, 60Hz

Shipping weight: 540 lbs

Chute inner dimensions:

	Small chute		Large chute	
	inches	mm	inches	mm
A	20	510	28	710
B	15	380	15	380



Options

- 3-stage electric photo eye
- Remote cycle switch

SIGNODE®

3610 West Lake Avenue
Glenview, Illinois 60025
1-800-323-2464