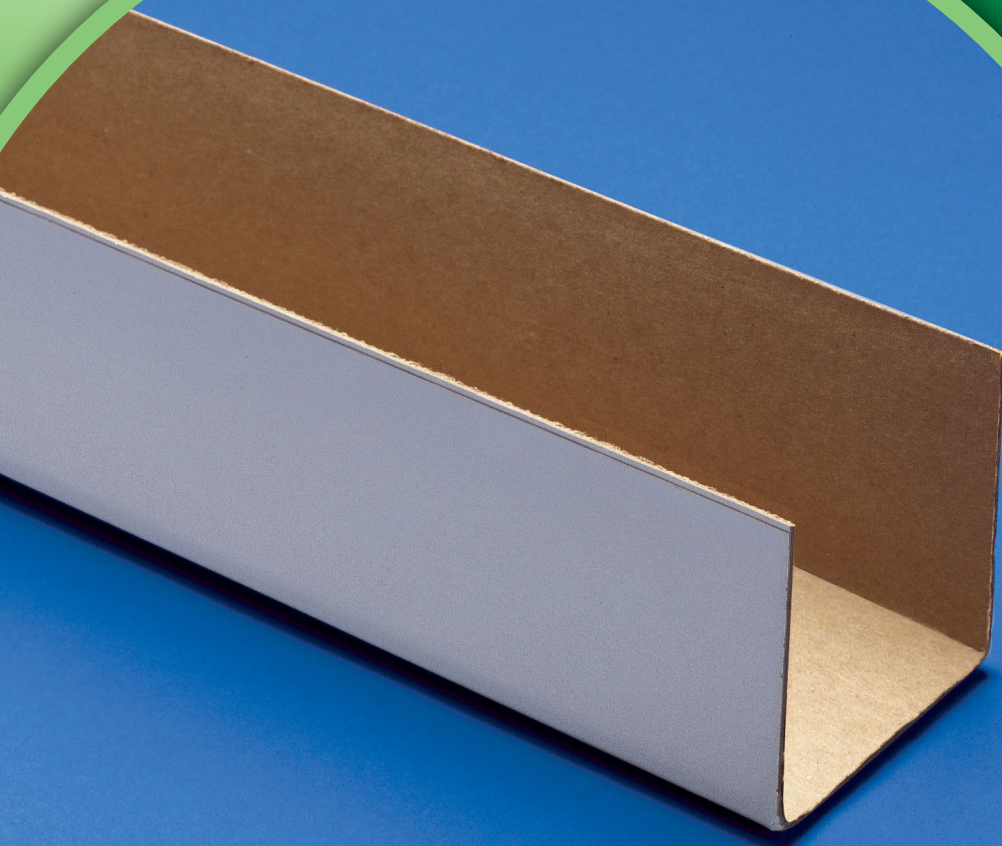


ITW Reddi-Pac



U-Board™

**The simple, low cost
solution to product
protection**

www.itwreddipac.com

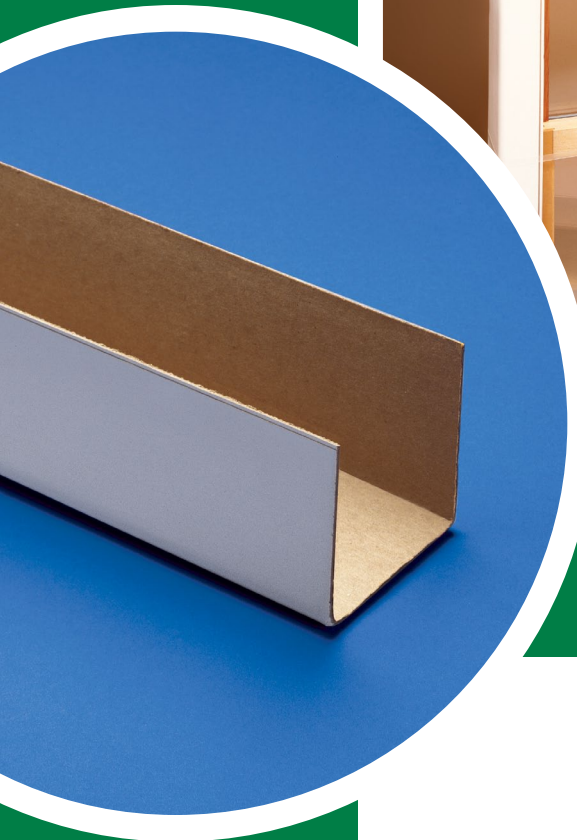
ITW Reddi-Pac

U-Board™



U-Board™ laminated paperboard packaging provides superior edge protection to prevent product damage that can occur during shipping and handling. Its rigid u-channel construction eliminates any added assembly time, creating a durable and more efficient way to protect your products.

U-Board has a smooth surface and interior that is non-abrasive and can be mitered to help protect the corners of products. U-Board can be treated with a variety of protective coatings that offer moisture resistance and corrosion protection. Color printing is available for product identification and point-of-sale merchandising.

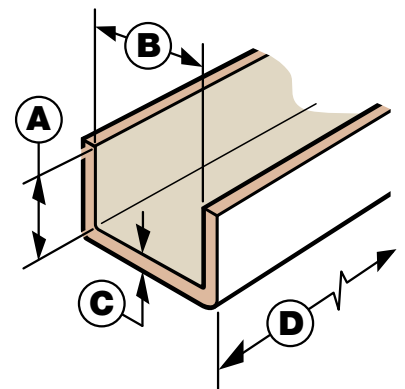


Durable • Easy to use • Non-abrasive

Specifications

U-Board sizes are based on the following dimensions:

- (A) Leg height -**
Available from 1-8 inches (25-203 mm)
- (B) Base width -**
Available from 1-12 inches (25-305 mm)
- (C) Caliper -**
Available from .060-.500 inches (1.5-13 mm)
- (D) Length -**
Available up to 53 feet (16 m)



ITW Reddi-Pac

Product Protection Simplified

Phone: 1-800-355-1135

www.itwreddipac.com

100% Recyclable

ITW Reddi-Pac products are made from 100% recycled materials and are 100% recyclable.