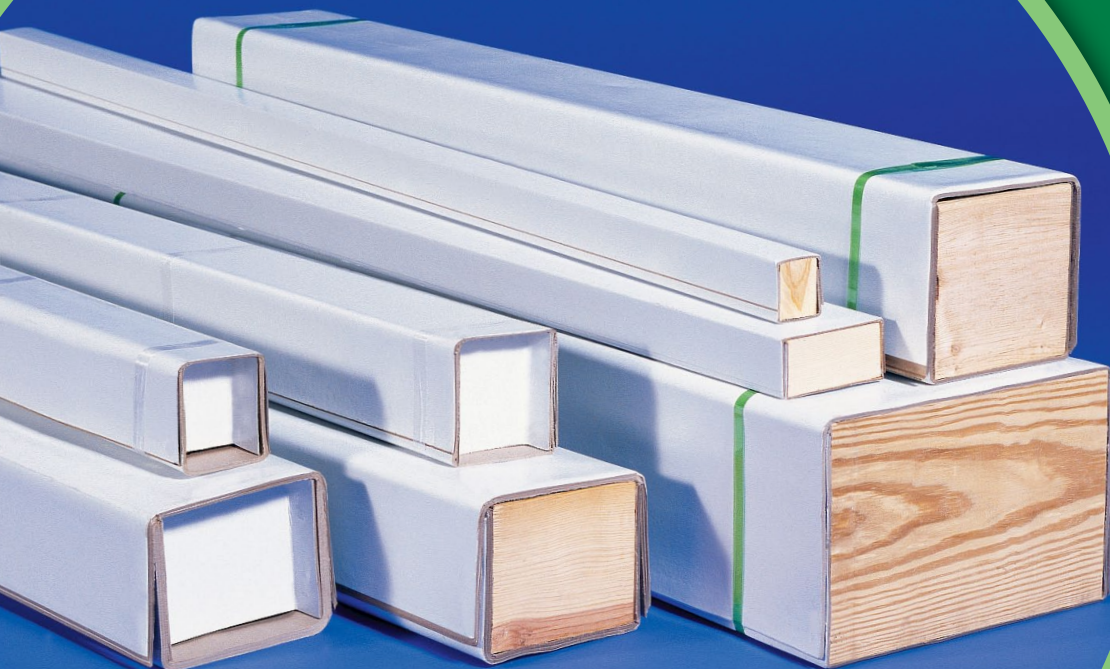


ITW Reddi-Pac



Reddi-Crate™

**The simple, low cost
solution to product
protection**

www.itwreddipac.com

ITW Reddi-Pac **Reddi-Crate™**



Reddi-Crate™ laminated paperboard packaging helps prevent product damage that can occur during shipping and handling. An excellent replacement product for wooden crates that are shipped overseas, its preformed profiles and two end closures form a shipping container that provides superior strength and protection for almost any application.

Reddi-Crate has a smooth surface and interior that is non-abrasive to products. Its standard exterior is a white clay coat, but other finishes are available to meet your specific applications. Reddi-Crate can be treated with a variety of protective coatings that offer moisture resistance and corrosion protection. Color printing is available for product identification and point-of-sale merchandising. Reddi-Crate end plugs are available in wood or u-plug material to suit your application.

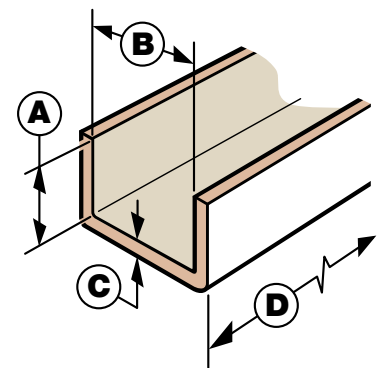


Durable • Versatile • Easy to use

Specifications

Reddi-Crate sizes are based on the following dimensions:

- (A) Leg height -**
Available from 1-8 inches (25-203 mm)
- (B) Base width -**
Available from 1-12 inches (25-305 mm)
- (C) Caliper -**
Available from .060-.500 (1.5-13 mm)
- (D) Length -**
Available up to 53 feet (16 m)



ITW Reddi-Pac
Product Protection Simplified
Phone: 1-800-355-1135
www.itwreddipac.com

100% Recyclable

ITW Reddi-Pac products are made from 100% recycled materials and are 100% recyclable.