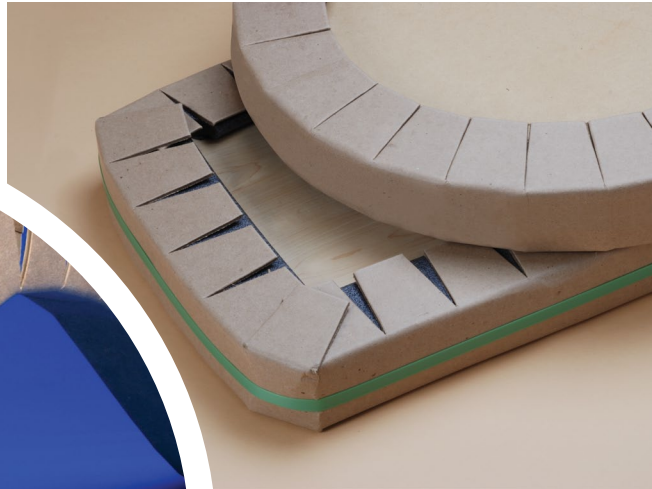




# Reddi-Bend™

**The simple, low cost  
solution to product  
protection**

# **ITW Reddi-Pac** **Reddi-Bend™**



**Reddi-Bend™** laminated paperboard packaging helps prevent product damage that can occur during shipping and handling. Its innovative curvilinear design easily wraps around curves and corners forming to any shape, providing unparalleled product protection. Easy to handle and available in different thicknesses and lengths, Reddi-Bend virtually eliminates the need for multiple stocks of product protection.

Reddi-Bend's brown Kraft finish has a smooth surface and interior that is non-abrasive. It can be treated with a variety of protective coatings that offer moisture resistance and corrosion protection. Color printing is available for product identification and point-of-sale merchandising.

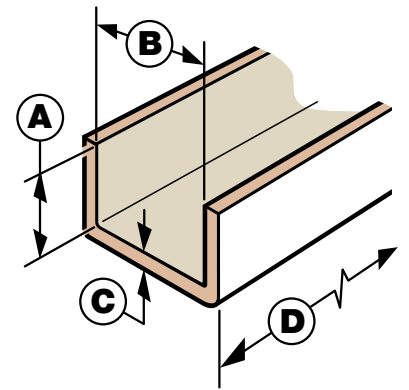


***Durable • Easy to use • Versatile***

## **Specifications**

Reddi-Bend sizes are based on the following dimensions:

- (A) Leg height -**  
Available from 2-5 inches (50-127 mm)
- (B) Base width -**  
Available from 2-8 inches (50-203 mm)
- (C) Caliper -**  
Available from .080-.120 inches (1.5-3.0 mm)
- (D) Length -**  
Available from 48-96 inches (1.2-2.4 m)  
(in 12 inch increments)



**ITW Reddi-Pac**  
**Product Protection Simplified**  
Phone: 1-800-355-1135  
www.itwreddipac.com

**100% Recyclable**

*ITW Reddi-Pac products are made from 100% recycled materials and are 100% recyclable.*