



COBRA[®]
A SIGNODE BRAND



YELLOW JACKET™

Orbital Stretch Wrapping Equipment

Robust Construction

Minimal maintenance needed throughout the lifetime of the machine

Production Flexibility

Accommodates variable load sizes to satisfy packaging challenges

Operator Friendly

Simple intuitive push button machine controls for ease of operation

Optimizes Performance

Orbital wrapping with minimal labor costs and improved line efficiency



YELLOW JACKET

Orbital Stretch Wrapping Equipment

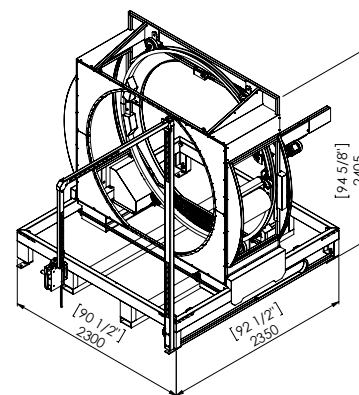
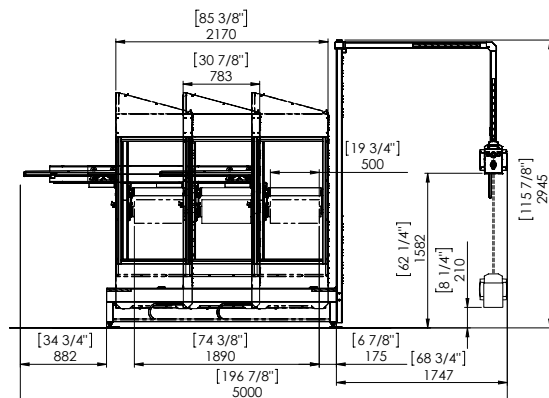


The Yellow Jacket orbital stretch wrap machine is designed for securing over-sized, oddly shaped, palletized loads while the pallet is on the forklift. The horizontally positioned stretch wrap dispenser automatically moves around and across the length of the load. The machine has a capacity of up to 25 pallets an hour depending on pallet size and number of film revolutions

The Yellow Jacket orbital stretch wrap machine significantly reduces the time and number of workers required to wrap a load allowing for considerable labor cost reductions. Two workers may take up to 10 minutes to wrap a load by hand. With this machine, one worker can wrap a load in one minute depending on the number of required film revolutions. The Yellow Jacket stretch wrap machine also can eliminate the need for other strapping materials and expensive cartons to secure loads, as the tight wrap helps prevent the load from shifting, falling, or sliding during transit.

Features and benefits

- Film overlap and the rotational speed of the film carriage can be adjusted by means of potentiometer for optimum wrapping pattern
- Film tension can be adjusted by rotating the adjustment knob of the brake roller for improved load stability
- Full control of where to start and stop the wrapping cycle
- Operator controls the wrapping process and all machine functions from the seat of the forklift
- Available as a semi-automatic or a manual model
- Machine can run up to 20 revolutions per minute
- Joystick remote control allows for ease of use



Semi-Automatic Unit

YELLOW-JACKET Technical Specifications

Machine model	Semi-Automatic Unit	Manual Unit
Overall dimension (WxLxH)	2300 x 2350 x 2945mm (91" x 93" x 116")	2300 x 2350 x 2405mm (91" x 93" x 95")
Max load diagonal	1620mm (64")	1620mm (64")
Max load wrap length	1890mm (74")	1955mm (77")
Machine weight	670kg (1480lbs.)	580kg (1280 lbs.)
Capacity	15-25 pallets/hour*	15-25 pallets/hour*
Adjustable tension	0-150% film post stretch	0-150% film post stretch
Rotation speed	5 – 20rpm	5 – 20rpm
Power supply	230VAC – 1p, 50Hz/16A (110V/60Hz for US)	230VAC – 1p, 50Hz/16A (110V/60Hz for US)
Drive motor	0.75kW (1HP)	-
Wrapping unit motor	0.37kW (1/2HP)	-
Cut/Clamp system motor	0.11kW (1/7HP)	-
Operating temperature	Operating temperature 5-40°C (40-100°F) at max relative humidity of 76 %	
Film type	Oriented films (7-8my/0.28-0.31mil) or machine stretch films (8-30my / 0.31-1.18mil) in either virgin or PCR quality – such as Mima® films available from Signode	

*Depending on pallet size and number of film revolutions
Air supply is not needed

The company reserves the right to make technical alterations without prior notification.
©2024 Signode Industrial Group LLC / ID-487 / O-240123 / www.Signode.com
For queries please contact Signode Industrial Group LLC at marketing@signode.com

